

# A7 Pro Flying Probe Test System

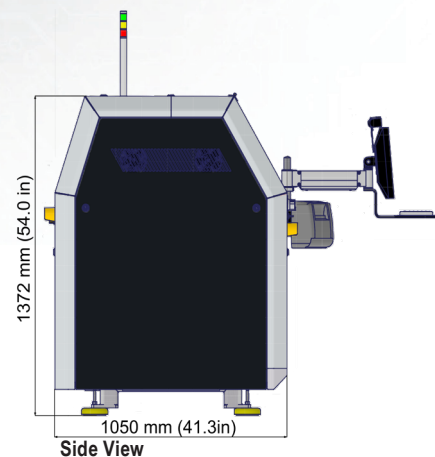
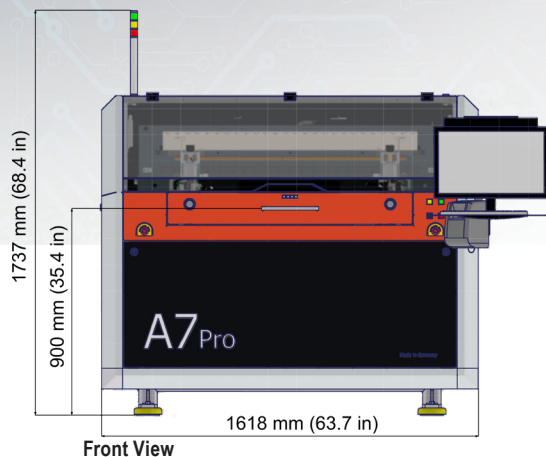
## For Rigid and Flexible Boards



- ▲ 8 Test Heads
- ▲ 20 % higher mechanical speed than A7
- ▲ Light weight Carbon Z-Axis
- ▲ 4 High Resolution Color Cameras
- ▲ Fast 280 mA Kelvin Testing

# A7 Pro Technical Specifications

## Flying Probe Test System



### Mechanics

Basic unit with 8 probes (4 top, 4 bottom)  
 Universal shuttle system with clamp and stretch mode for testing flexible and rigid boards. Pneumatic clamping function controlled by foot switch.

Max. board size (X x Y)	640 mm x 610 mm / 25.2" x 24.0"
Min. board size (X x Y)	10 mm x 10 mm / 0.4" x 0.4"
Test area (X x Y)	610 mm x 510 mm / 24.0" x 20.0"
Board thickness	up to 10 mm / 0.4"

Smallest pad	35 $\mu$ m / 1.4 mil* (special setup)
Smallest pitch	100 $\mu$ m / 4.0 mil
Resolution measurement system	$\pm 0.1 \mu$ m / $\pm 0.004$ mil
Repeatable accuracy	$\pm 4 \mu$ m / $\pm 0.16$ mil

Soft touch probes or	5 g to 10 g
*Micro needle probes	0.3 g to 2.5 g

### Electronics

Continuity test	1 $\Omega$ to 10 k $\Omega$
Isolation test	up to 25 M $\Omega$ (FM) up to 100 G $\Omega$ (ohmic) MicroShort Detection <sup>®</sup>
Test voltage	100 mV to 1000 V

### Camera System

4 color cameras for fast optical scanning of top and bottom side.  
 Resolution 6  $\mu$ m/pixel

### Options

- 4-wire measurement with max. 280 mA test current
 

0 $\Omega$ to 1 k $\Omega$	$\pm 2 \%$ , min $\pm 25 \mu\Omega$
with Kelvin probes	0.3 g to 2.5 g
Smallest pad	80 $\mu$ m / 3.2 mil*
Smallest pitch	120 $\mu$ m / 4.8 mil*

 \* special setup
- Embedded components test
 

R 0 $\Omega$ to 1 M $\Omega$	$\pm 1 \%$ , min. $\pm 0.5 \Omega$
1 M $\Omega$ to 200 M $\Omega$	$\pm 3 \%$
C 0 F to 100 $\mu$ F	$\pm 2 \%$ , min. $\pm 30$ fF
L 0 H to 10 mH	$\pm 5 \%$ , min. $\pm 0.25 \mu$ H
Diode / Varistor	
$U_{EP}$ , $U_{R1}$ , $U_{BR}$	0 V to 12.5 V
- LaTest<sup>®</sup> open detection with LaTest<sup>®</sup> probes
 

High current	1 g to 10 g 1.4 A (1 kHz)
--------------	------------------------------

- Retest of fault files from external grid test systems on inquiry
- Repair software with barcode support

<b>Data input format</b>	IPC-D-356A
<b>Network connection</b>	Ethernet, TCP / IP
<b>Power supply</b>	230 V, 50 Hz (115 V, 60 Hz), 1000 VA
<b>Compressed air</b>	8 bar / 115 psi, filtered
<b>Temperature</b>	18 $^{\circ}$ C to 27 $^{\circ}$ C
<b>Relative humidity</b>	40% to 60%
<b>Machine weight</b>	800 kg

All information subject to change without notice!  
 April 2024