

A9 Flying Probe Test System

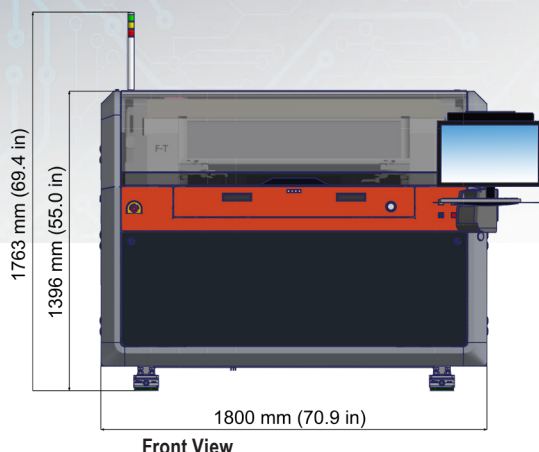
For Rigid and Flexible Boards



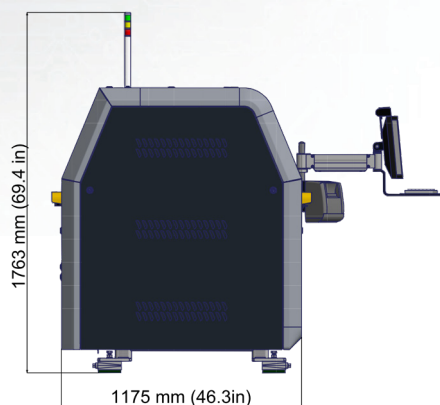
- ▲ Latest Generation in advanced technology
- ▲ 8 ultra light carbon fiber test heads
- ▲ High performance linear motion
- ▲ Granit base for high accuracy and repeatability

A9 Technical Specifications

Flying Probe Test System



Front View



Side View

Mechanics

Basic unit with 8 probes (4 top, 4 bottom)
 Universal shuttle system with clamp and stretch mode for testing flexible and rigid boards. Pneumatic clamping function controlled by foot switch.

Max. board size (X x Y)	640 mm x 535 mm / 25.2" x 21.0"
Min. board size (X x Y)	10 mm x 10 mm / 0.4" x 0.4"
Test area (X x Y)	610 mm x 510 mm / 24.0" x 20.0"
Board thickness	up to 10 mm / 0.4"

Smallest pad	35 μm / 1.4 mil* (special setup)
Smallest pitch	75 μm / 3.0 mil
Resolution measurement system	$\pm 0.1 \mu\text{m}$ / ± 0.004 mil
Repeatable accuracy	$\pm 4 \mu\text{m}$ / ± 0.16 mil

Soft touch probes or	5 g to 10 g
*Micro needle probes	0.3 g to 2.5 g

Electronics

Continuity test	1 Ω to 10 k Ω
Isolation test	up to 25 M Ω (FM) up to 100 G Ω (ohmic) MicroShort Detection®
Test voltage	100 mV to 1000 V

Camera System

4 color cameras for fast optical scanning of top and bottom side.
 Resolution 6 μm / pixel

Options

- 4-wire measurement with max. 280 mA test current

0 Ω to 1 k Ω	$\pm 2 \%$, min. $\pm 25 \mu\Omega$
with Kelvin probes	0.3 g to 2.5 g
Smallest pad	80 μm / 3.2 mil*
Smallest pitch	120 μm / 4.8 mil*

 * special setup
- Embedded components test

R 0 Ω to 1 M Ω	$\pm 1 \%$, min. $\pm 0.5 \Omega$
1 M Ω to 200 M Ω	$\pm 3 \%$
C 0 F to 100 μF	$\pm 2 \%$, min. ± 30 fF
L 0 H to 10 mH	$\pm 5 \%$, min. $\pm 0.25 \mu\text{H}$
Diode / Varistor	
U_{EP} , U_{R1} , U_{BR}	0 V to 12.5 V
- LaTest® open detection with LaTest® probes

High current	1 g to 10 g 1.4 A (1 kHz)
--------------	------------------------------

- Retest of fault files from external grid test systems on inquiry
- Repair software with barcode support

Data input format	IPC-D-356A
Network connection	Ethernet, TCP / IP
Power supply	230 V, 50 Hz (115 V, 60 Hz), 1000 VA
Compressed air	8 bar / 115 psi, filtered
Temperature	18 °C to 27 °C
Relative humidity	40% to 60%
Machine weight	1450 kg

All information subject to change without notice!
 January 2025